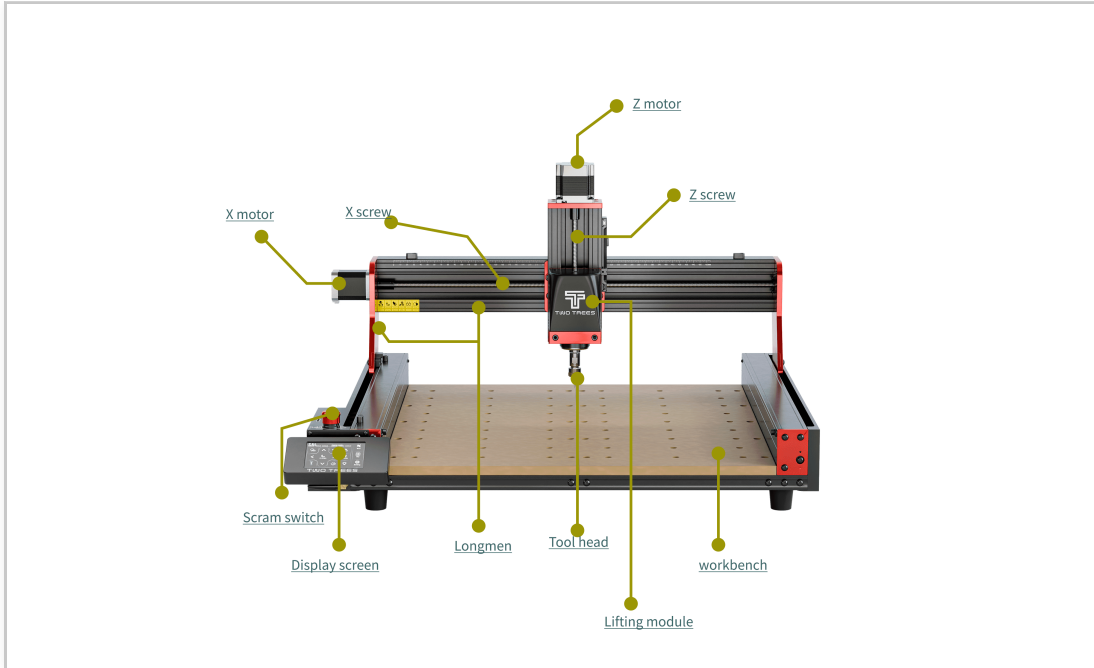



# TTC450Pro

## TTC 450Pro



## Quick start

- ▶ [intro](#)
- ▶ [Installation video](#) 
- ▶ [Preparation before use](#)
- ▶ [Carving execution](#)
- ▶ [Calibration and Software Guide](#)
- ▶ [Motherboard diagram](#)
- ▶ [Switch to laser mode](#)

## troubleshooting

- ▶ [Common fault information](#)

## Maintenance guide


- ▶ [Scheduled maintenance](#)

- ▶ [Replacement parts](#)
- ▶ [regulate](#)

## Engraving setting

- ▶ [Common carving materials](#)
- ▶ [Test engraving file](#)
- ▶ [Engraving parameter reference](#)

## Firmware upgrade

- ▶ [Motherboard firmware upgrade](#)
- ▶ [Machine firmware](#) 
- ▶ [TF card data](#) 